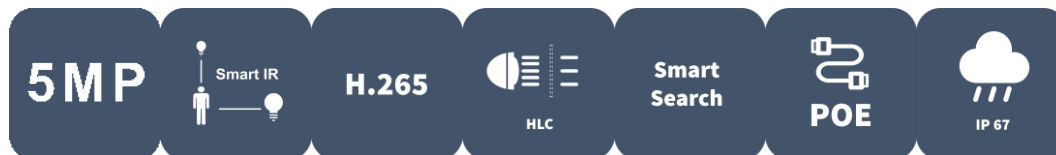


# 5MP Fixed IR Mini Bullet Network Camera

IPC2125LB-SF28(40)-A



## Features

- High quality image with 5MP, 1/3.0"CMOS sensor
- 5MP (2592\*1944)@20fps; 4MP (2560\*1440)@20fps; 3MP (2304\*1296)@20fps; 2MP (1920\*1080)@30/25fps
- Ultra 265, H.265, H.264, MJPEG
- Smart IR, up to 30m (98ft) IR distance
- Day/night functionality
- 2D/3D DNR (Digital Noise Reduction)
- IP67 protection
- DC12V or PoE(IEEE 802.3af) power supply
- 3-Axis

## Specifications

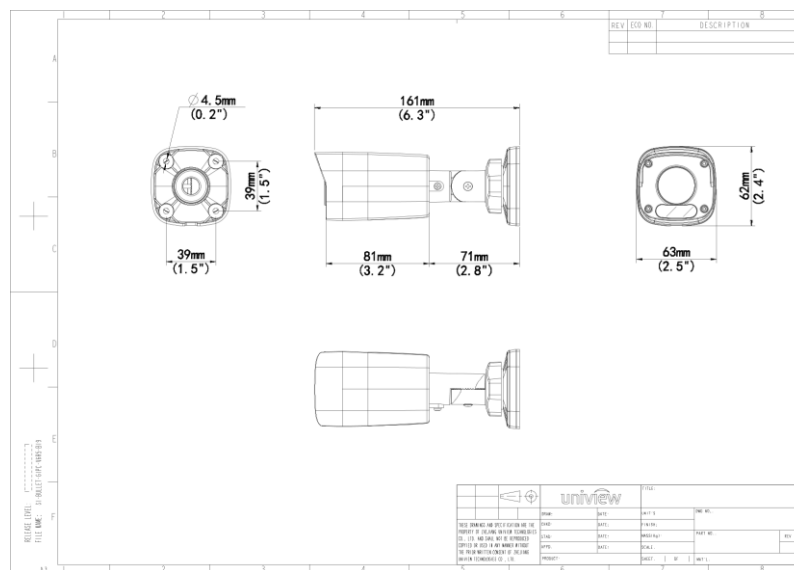
Camera	Description
Resolution	5MP
Sensor	1/3.0"CMOS
Min. Illumination	Colour: 0.01 lux (F2.1, AGC ON) 0 lux with IR on

Day/Night	IR-cut filter with auto switch (ICR)
Shutter	Auto/Manual, 1 ~ 1/100000s
Adjustment angle	Pan: 0° ~ 360° , Tilt: 0° ~ 90° , Rotate: 0° ~ 360°
S/N	>52dB
WDR	DWDR
<b>Lens</b>	<b>Description</b>
Lens type	IPC2125LB-SF28-A:2.8mm IPC2125LB-SF40-A:4.0mm
Iris Type	Fixed
Iris	F2.1
Field of View (H)	IPC2125LB-SF28-A:97.0° IPC2125LB-SF40-A:79.0°
Field of View (V)	IPC2125LB-SF28-A:52.2° IPC2125LB-SF40-A:42.3°
Field of View (D)	IPC2125LB-SF28-A:107.5° IPC2125LB-SF40-A:85.1°
<b>DORI</b>	<b>Description</b>
DORI Distance ( Lens )	IPC2125LB-SF28-A:2.8mm IPC2125LB-SF40-A:4.0mm
DORI Distance ( Detect )	IPC2125LB-SF28-A:63.0m(206.7ft) IPC2125LB-SF40-A:90.0m(295.3ft)
DORI Distance ( Observe )	IPC2125LB-SF28-A:25.2m(82.7ft) IPC2125LB-SF40-A:36.0m(118.1ft)
DORI Distance ( Recognize )	IPC2125LB-SF28-A:12.6m(41.3ft) IPC2125LB-SF40-A:18.0m(59.1ft)
DORI Distance ( Identify )	IPC2125LB-SF28-A:6.3m(20.7ft) IPC2125LB-SF40-A:9.0m(29.5ft)
<b>Illuminator</b>	<b>Description</b>
IR Range	Up to 30m (98ft)
Wavelength	850nm
IR On/Off Control	Auto/Manual
<b>Video</b>	<b>Description</b>
Video Compression	Ultra 265; H.265; H.264; MJPEG
H.264 code profile	Baseline profile, Main profile, High profile
Frame Rate	Main Stream: 5MP (2592*1944) , Max 20fps; 4MP (2560*1440), Max 20fps; 3MP(2304*1296), Max 20fps;2MP(1920*1080),Max 30fps Sub Stream: D1 (720*576), Max 30fps; 640*360,Max 30fps; 2CIF(704*288), Max 30fps; CIF(352*288), Max 30fps
Video Bit Rate	128 Kbps~6144 Kbps
U-code	Support
OSD	Up to 4 OSDs
Privacy Mask	Up to 4 areas

ROI	Up to 8 areas
Video stream	Dual streams
<b>Image</b>	<b>Description</b>
White Balance	Auto/Outdoor/Fine Tune/Sodium Lamp/Locked/Auto2
Digital noise reduction	2D/3D DNR
Smart IR	Support
Flip	Normal/Vertical/Horizontal/180°
Dewarping	N/A
HLC	Support
BLC	Support
Defog	Digital Defog
<b>Events</b>	<b>Description</b>
Basic Detection	Motion detection
General Function	Watermark;IP Address Filtering;Access Policy;ARP Protection;RTSP Authentication;User Authentication;HTTP authentication
<b>Network</b>	<b>Description</b>
Protocols	IPv4;IGMP;ICMP;ARP;TCP;UDP;DHCP;RTP;RTSP;RTCP;RTMP;DNS;DDNS;NTP;UPnP;HTTP;HTTPS;802.1x;QoS;SSL/TLS;SMTP
Compatible Integration	ONVIF (Profile S, Profile T);API;SDK
User/Host	Up to 32 users, 2 user levels: administrator and common user
Security	Password protection;Strong password;HTTPS encryption;Export operation logs;Basic and digest authentication for RTSP;Digest authentication for HTTP;WSSE and digest authentication for ONVIF
Client	EZStation;EZView; EZLive
Web Browser	Plug-in required live view: IE 10 and above,Chrome 45 and above,Firefox 52 and above,Edge 79 and above;Plug-in free live view: Chrome 57.0 and above,Firefox 58.0 and above,Edge 16 and above
<b>Interface</b>	<b>Description</b>
Audio I/O	N/A
Alarm I/O	N/A
Serial Port	N/A
Built-in Mic	N/A
Built-in Speaker	N/A
WIFI	N/A
Network	1 * RJ45 10M/100M Base-TX Ethernet
Video Output	N/A
<b>Certification</b>	<b>Description</b>
EMC	CE-EMC (EN 55032,EN 61000-3-3,EN IEC 61000-3-2,EN 55035) FCC (FCC 47 CFR part15 B)
Safety	CE LVD (EN 62368-1) CB (IEC 62368-1) UL/CUL (UL 62368-1, CAN/CSA C22.2 No. 62368-1)

Environment	CE-RoHS (2011/65/EU;(EU)2015/863); WEEE (2012/19/EU);
Protection	IP67 (IEC 60529)
General	Description
Power	DC 12V±25%, PoE (IEEE 802.3af) Power consumption: Max 5.0W
Power Interface	Ø 5.5mm coaxial power plug
Dimensions (L x W x H)	161 × 63 × 62mm (6.4" × 2.5" × 2.4" )
Weight	0.36kg(0.79lb)
Material	Graphene + Plastic
Working Environment	-30° C ~ 60° C (-22° F ~ 140° F), Humidity: ≤95% RH (non-condensing)
Storage Environment	-30° C ~ 60° C (-22° F ~ 140° F), Humidity: ≤95% RH (non-condensing)
Surge protection	4KV
Reset button	N/A
Web Client Language	1 Language English

## Dimensions



### Zhejiang Uniview Technologies Co., Ltd.

No. 369, Xietong Road, Xixing Sub-district, Binjiang District, Hangzhou City, 310051, Zhejiang Province, China

Email: [overseasbusiness@uniview.com](mailto:overseasbusiness@uniview.com); [globalsupport@uniview.com](mailto:globalsupport@uniview.com)

<http://www.uniview.com>

©2023 Zhejiang Uniview Technologies Co., Ltd. All rights reserved.

\*Product specifications and availability are subject to change without notice.